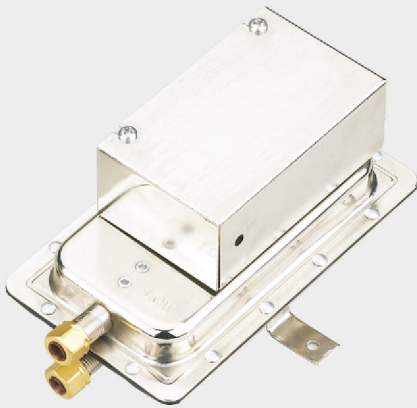


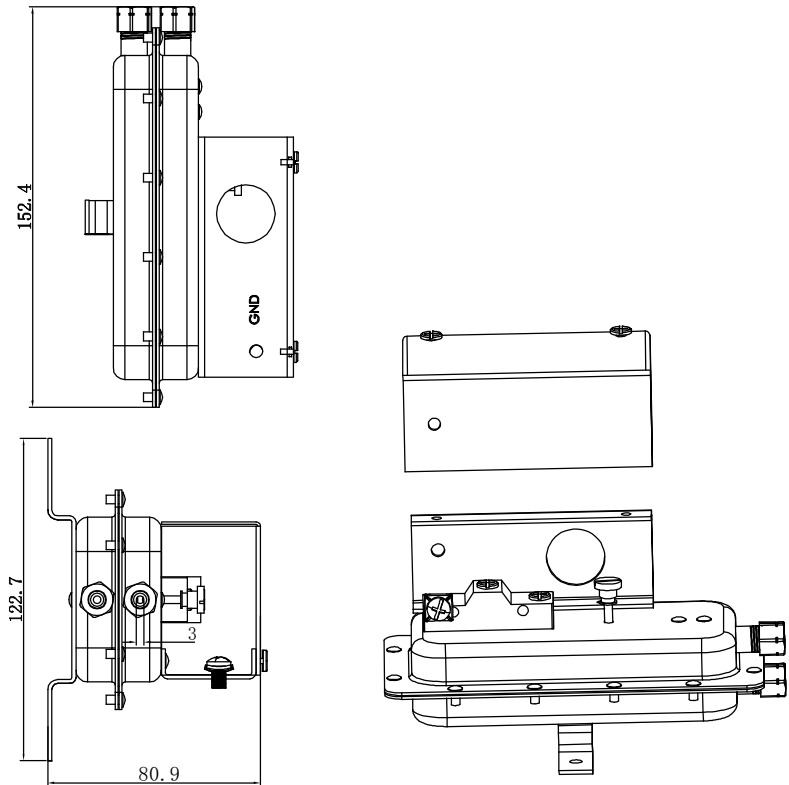
LF35

LF35-1(AFS-222) LF35-2(AFS-262)

Air differential pressure switch



LEFOO



Dimension in:mm

The LF35 are general purpose airflow proving switches designed for HVAC, detection of blocked filters and fan suction, air flow monitoring in ducts, pipes, tunnels, and other energy management applications. It may be used to sense positive, negative or differential air pressure.

LF35 Order Ref NO

LF35-1 1 A 1 -P0.5mbar

A B C D Pressure setting:P0.5mbar P=Positive;V=Vacuum

- A Operating Pressure:**1=0.5mbar-30mbar;2=0.2mbar-5.0mbar
- B Connection:**1=accept 0.25"OD rigid or semi-rigid tubing;2=Male 0.25"slip-on connectors,suitable for flexible tubing
- C Mounting/Fixing:**A=Bracket A;B=Bracket B
- D Wire Protecting:**0=None;1=with protecting on closure

Specification

Model	LF35-1(AFS-222)	LF35-2(AFS-262)
Media	Air	
Mounting Position	Diaphragm in any vertical Plane	
Field Adjustable Range	0.5 ±0.05mbar to 30.0mbar	0.2 ±0.05mbar to 5.0mbar
Switch Differential	Progressive,increasing from approximately 0.05mbar at minimum set point,to approximately 2.0mbar at maximum set point	Progressive,increasing from approximately 0.05mbar at minimum set point,to approximately 0.25mbar at maximum set point
Maximum Pressure	30mbar	
Operating Temperature	-40 ℃ ~ +82 ℃	
Electrical Rating	300VA pilot duty at 115-277VAC,10A,non-inductive,277AVC	
Connection	Ferrule and nut compression type connectors that accept 0.25"OD rigid or semi-rigid tubing;male 0.25"slip-on connector	
Contact Arrangement	SPDT	

Conversion:1mbar=100Pa 1"W.C=249Pa

PandID®B.V. - t: +31 174 280 371 - f: +31 174 280 853 - i: www.pandid.nl - e: info@pandid.nl