

LEFOO



A030034

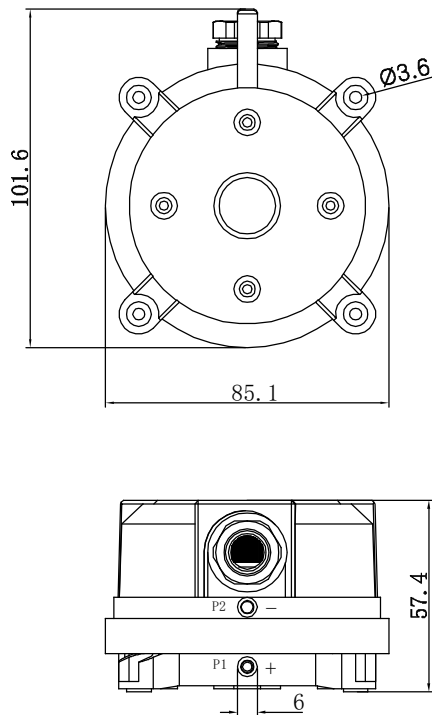


MH46253

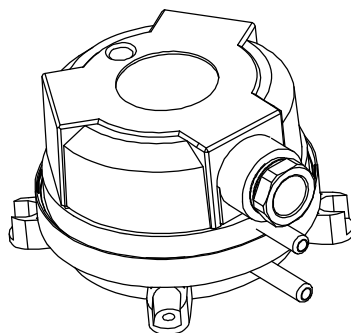


LF32

Air differential pressure switch



Dimension in:mm



The LF32 is an adjustable differential pressure switch capable of detecting miniscule changes in pressure due to the size and proven design. The switch set point or switching point can be field adjustable without the need of a manometer by simply using the adjustment knob and the built in calibrated visual scale. This switch is equipped a clear cover that not only protects the adjustment knob to be move involuntary but also provides class IP54 protection

LF32 Pressure Range

Model	Pressure Range	Differential	Tolerances
LF32-02	20-200(Pa)	10(Pa)	≤±15%
LF32-03	30-300(Pa)	10(Pa)	≤±15%
LF32-04	40-400(Pa)	20(Pa)	≤±15%
LF32-05	50-500(Pa)	20(Pa)	≤±15%
LF32-10	200-1000(Pa)	100(Pa)	≤±15%
LF32-25	500-2500(Pa)	150(Pa)	≤±15%
LF32-11	100-1000(Pa)	50(Pa)	≤±15%
LF32-50	1000-5000(Pa)	250(Pa)	≤±15%

Specification

Model	LF32
Media	Air, non-combustible and non-aggressive gas
Max Operating Pressure	10kPa
Mounting Position	Diaphragm in any vertical Plane
Degree of protection	IP54(with cover),IP00(without cover)
Operating Temperature	-40℃ to +85℃
Contact Arrangement	SPDT
Electrical Rating	Resistance:initial < 100 milliohms Current:1.5A(0.4A)/250V
Terminal	6.3mm ×0.8 blade or screw terminal
Connection	Φ6.4mm for tube connection

Conversion: 1in W.C.=249Pa 1mbar=100PaE