

999

WELDING SUPPORTS FOR PROBES AND MULTY-ELECTRODE HOLDERS FOR FOOD INDUSTRY



DESCRIPTION

Welding support for multiple probe

These welding supports, for probes and multiple electrode holders with threaded attack by 1-½ " gas, allow easy installation and service, assuring waterproof sealing.

The use of these supports, thanks to the O-ring seal, prevents material infiltration between threads, therefore avoiding bacteria problems.

The hole to be made on the tank, should be 60 mm diameter.

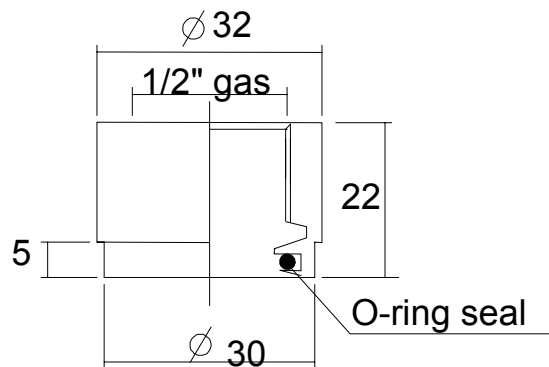
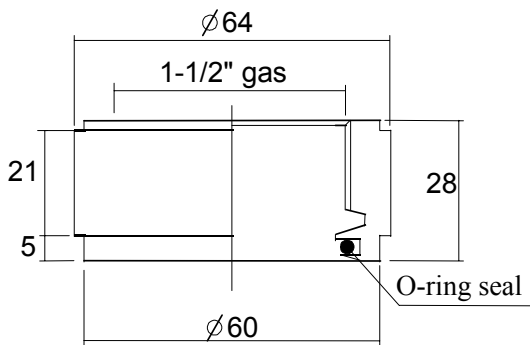
Welding support for single probe

These welding supports, for probes and multiple electrode holders with threaded attack by ½ " gas, allow easy installation and service, assuring waterproof sealing.

The use of these supports, thanks to the O-ring seal, prevents material infiltration between threads, therefore avoiding bacteria problems.

The hole to be made on the tank, should be 30 mm diameter.

MECHANICAL DIMENSIONS



ORDER CODES

| CODE | DESCRIPTION | TEMPERATURE | PRESSURE | THREAD |
|------------|-------------------------------|-------------|----------|-------------------------------|
| 999-050-00 | welding supports for single | 180 °C | 25 bar | ½" stainless steel AISI 303 |
| 999-090-00 | welding supports for multiple | 180 °C | 25 bar | 1-½" stainless steel AISI 303 |

Informations provided herein can be changed without notice.

[999_E_CAT1 .doc]

gen-09

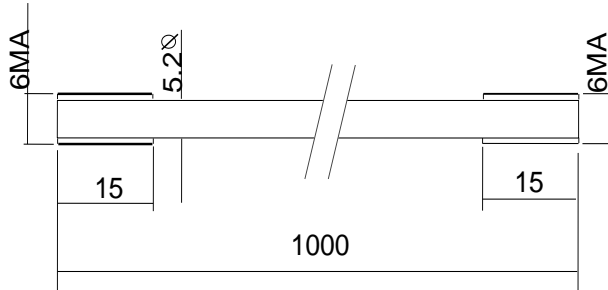


999

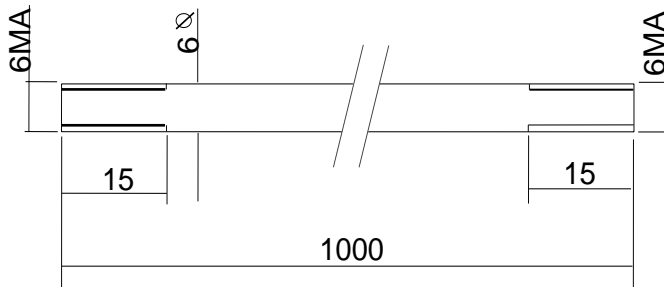
ELECTRODES AND SPACERS FOR MULTIPLE ELECTRODE HOLDERS FOR FOOD INDUSTRY

MECHANICAL DIMENSION

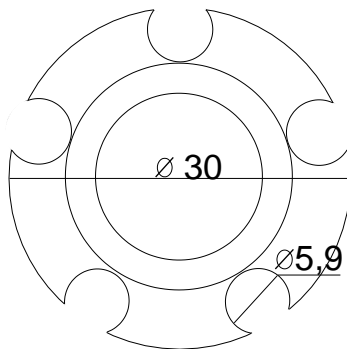
DESCRIPTION



This electrode has the purpose to extend the conductive end of the electrode holder, obtaining different levels for common, minimum and maximum. It is possible to join several modules, 1 meter long.



This electrode has the purpose to extend the conductive end of the electrode holder, obtaining different levels for common, minimum and maximum. It is possible to join several modules, 1 meter long.



This spacer has the purpose to keep spaced the 6 mm diameter electrodes, when their length may cause a contact between them or with the tank.

ORDER CODES

| CODE | DESCRIPTION | MATERIAL |
|------------|-------------------------------|--------------------------|
| 999-003-00 | Electrode D5 mm, 2 thread 6MA | Stainless steel |
| 999-005-00 | Electrode D6 mm thread 6MA | Stainless steel AISI 316 |
| 999-006-00 | Electrode D6 mm thread 6MA | Titanium |
| 999-053-00 | D6 mm electrode spacer | PTFE-glass doped |

Informations provided herein can be changed without notice.

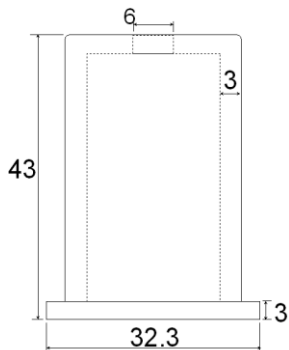
[999_E_CAT2.doc] gen-09



999

CAP AND JOINTS FOR SINGLE ELECTRODE HOLDERS

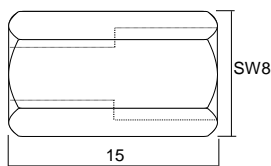
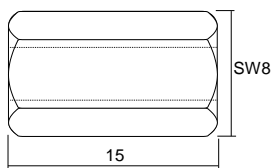
MECHANICAL DIMENSION



Protection for 395

DESCRIPTION

These protections are used when the probes are not waterproof case and it is necessary to protect the wiring. They are of rigid or soft type (when only small space is available between probes).



These joints, with nuts and electrodes, allow to extend the sensitive end of the probes, to obtain the desired lengths.

ORDER CODES

| CODE | DESCRIPTION | MATERIAL |
|------------|------------------------|-----------------|
| 999-021-00 | rigid protection | Black nylon |
| 999-011-00 | Joint 4MA x 6MA - SW 8 | stainless steel |
| 999-012-00 | Joint 6MA x 6MA - SW 8 | stainless steel |

Informations provided herein can be changed without notice.

[999_E_CAT3.doc] June-09