

FR10 - FR10X

Air filter regulators (miniaturized)

The air filter regulator FR10 is specially designed for feed, with clean air and controlled pressure, all the measuring and control instrumentation, automatic machines and any type of pneumatic device.

The high precision of control and its constructive characteristics make it particularly reliable even in environmental heavy conditions.



- ◆ Full INOX version (FR10X)
- ◆ Partivulary compact design
- ◆ Low consumption
- ◆ Fine regulation



EAC Conformity
CU TR 010 / CU TR 032

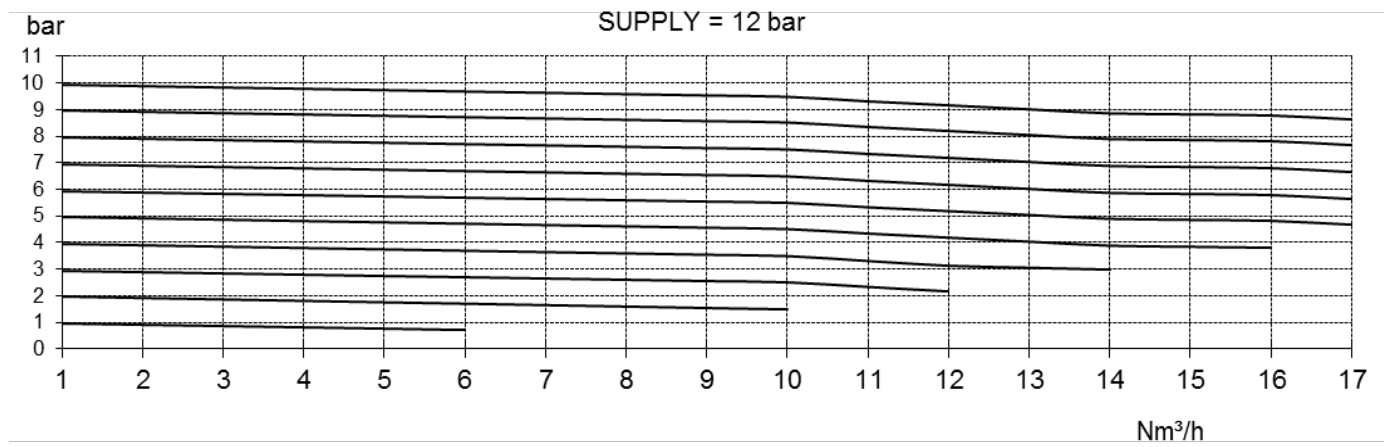


14/68/EU (PED)
14/34/EU (ATEX)

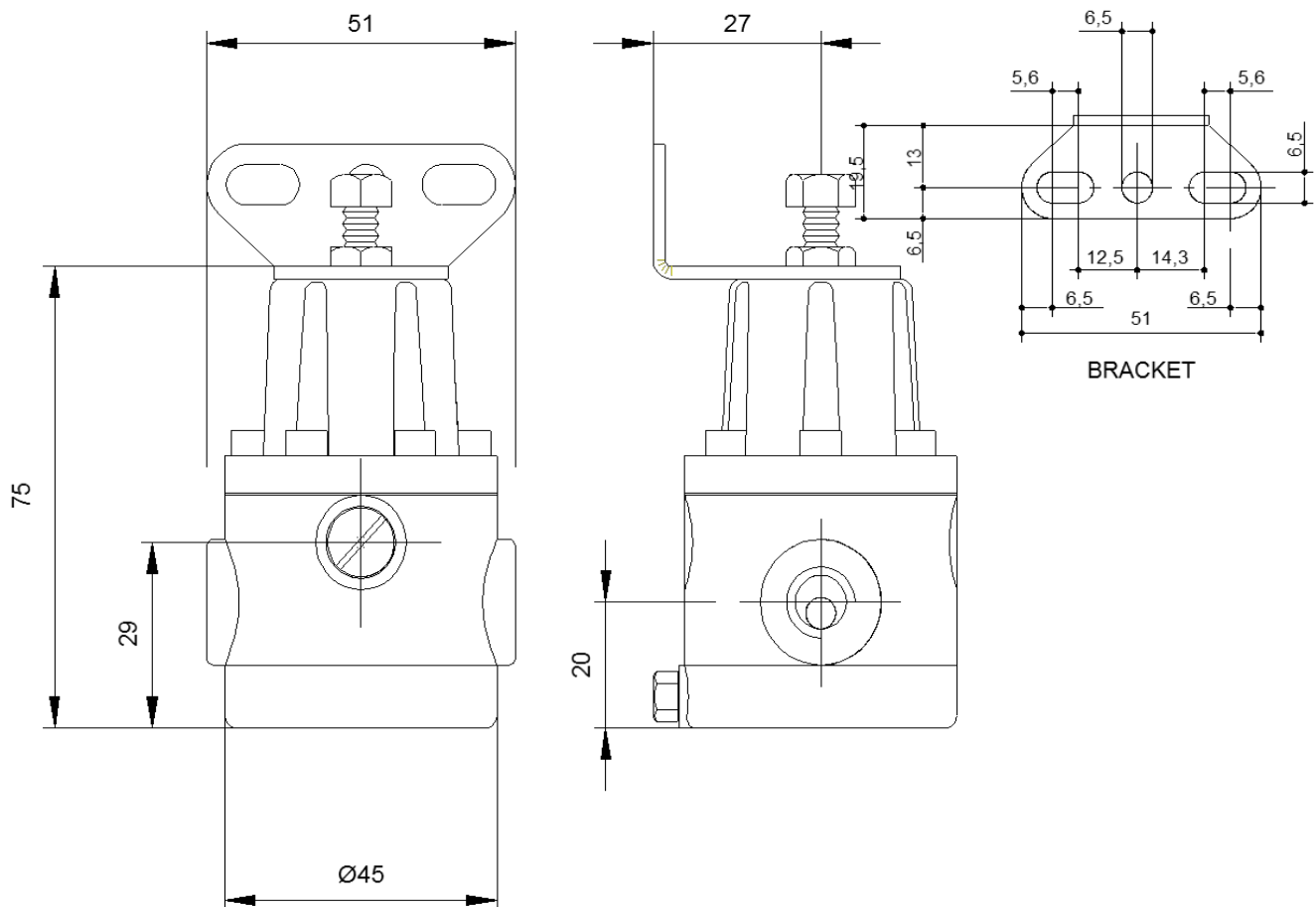
TECHNICAL DATA

SUPPLY PRESSURE	220 spi / 15 bar	
RANGE	FR10 - FR10X	0÷2.5 bar
	FR10.1 - FR10.1X	0÷6 bar
	FR10.1 - FR10.1X	0÷10 bar
FILTRATION	50 m	
AIR DELIVERY (SUPPLY 7 bar)	10 Nm ³ /h	
PNEUMATIC CONNECTIONS (IN—OUT)	1/4"NPT	
GAUGE CONNEGTION	1/8" GAS	
PNEUMATIC CONNECTIONS	1/4"NPT	
TEMPERATURE LIMITATION	-20 ÷ 80°C	
MATERIAL	FR10	ZAMAK
	FR10X	A351 CF3M (AISI 316L)
WEIGHT	FR10	480 g
	FR10X	600g

AIR DELIVERY DIAGRAM



DIMENSIONS



The contents of this publication are presented for information purpose only. We reserve to modify or improve the designs or specifications of such products at any time without notice