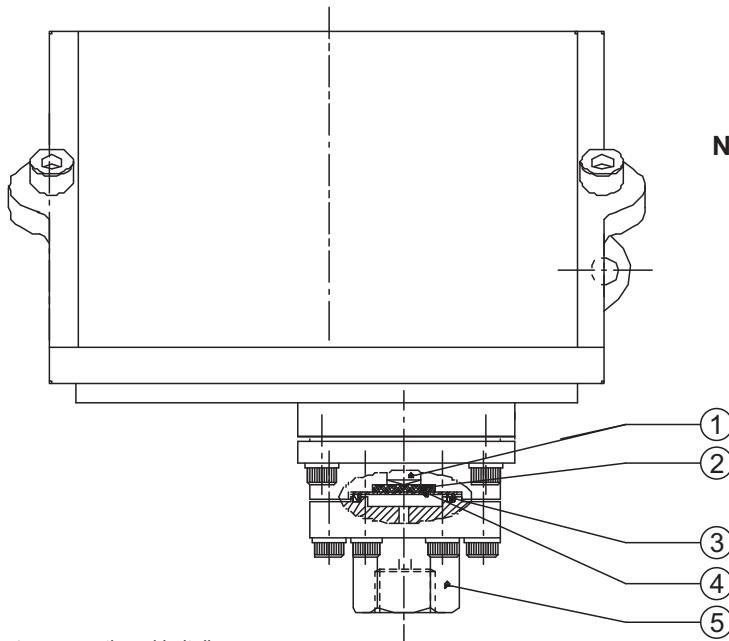


MT HYDRAULIC DIAPHRAGM SWITCH



PRESSURE CAPSULE DETAILS



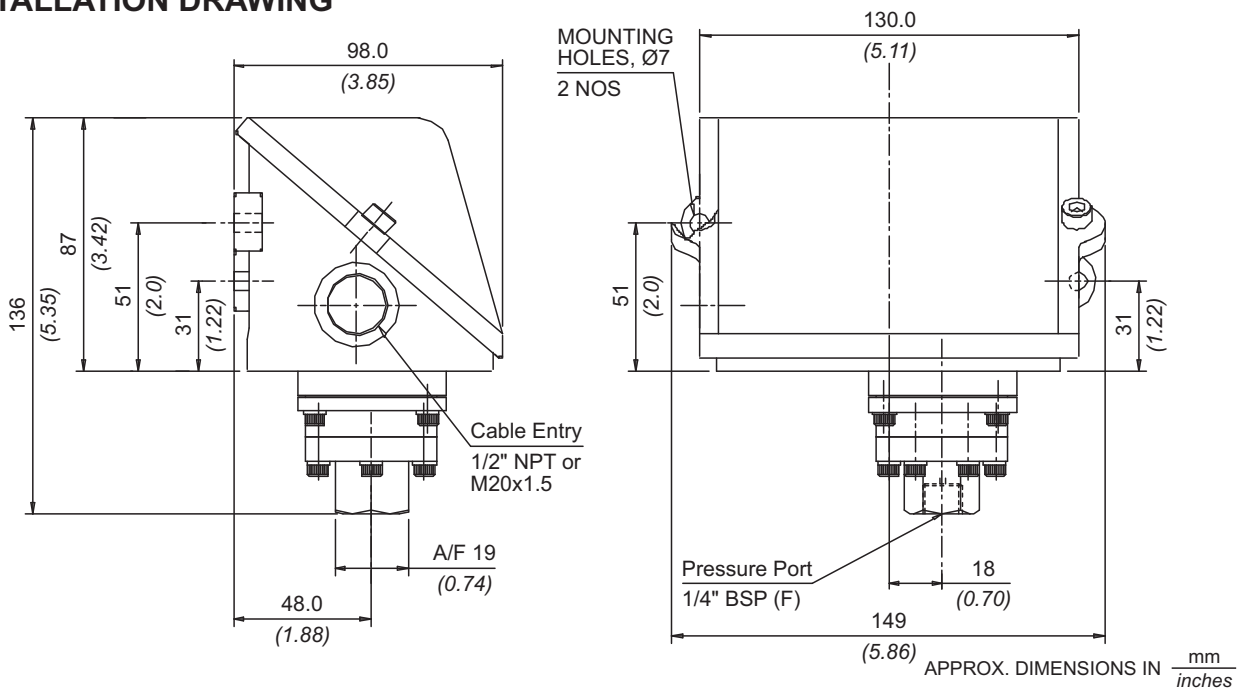
No. Description

1. Transfer Pin
2. Cushioning Pad
3. Teflon 'O' ring
4. Diaphragm
5. Pressure Housing

Note : *wetted parts* are mentioned in italics.

*Pressure ports are brazed with flange

INSTALLATION DRAWING



HYDRAULIC DIAPHRAGM SWITCH **MT**

RANGE SELECTION TABLE

Range Code	Range bar (psi)	Differential* bar (psi)	Maximum Working Pressure bar (psi)
		Approximate Maximum for "A1" microswitch	
H1T	0.5 - 10 (7.25 - 145.04)	0.5 (7.25)	150 (2175.57)
H2T	2 - 20 (29.00 - 290.07)	2 (29.00)	200 (2900.76)
H4T	5 - 40 (72.52 - 580.15)	5 (72.52)	200 (2900.76)
H1H	10 - 100 (145.04 - 1450.38)	12 (174.05)	200 (2900.76)
H2H	7 - 200 (101.53 - 2900.76)	24 (348.09)	400 (5801.52)
H4H	40 - 400 (580.15 - 5801.52)	70 (1015.27)	500 (7251.9)

*Minimum differential increases with setpoint, values with neoprene diaphragm (Graphs available on request)

* Differentials of microswitches A2 through A9 will vary. Differentials for A7 are typically twice that for A1 microswitch. Please indicate specifically the differential value in enquiry/order, when it is critical in your application.

HOW TO ORDER INDUSTRIAL HYDRAULIC DIAPHRAGM RANGE PRESSURE SWITCHES

Group 1	Group 2	Group 3	Group 4	Group 5	Group 6	Group 7	Group 8
<p>Non standard allocation</p> <p><input type="checkbox"/> Reserved for non-standard options not covered in catalogue. Will be given by manufacturer, only after agreement of supply details with customer.</p>	<p>Gas Group Classification</p> <p>MT = Industrial pressure switch with diecast Aluminium enclosure to IP66 as per IS/IEC 60529</p>	<p>Cable Entry Size</p> <p>1 = Al. head 1/2" NPT threads 3 = Al. head M20 X 1.5 threads</p>	<p>Switch Type</p> <p>PF1 = pressure switch, fixed differential without scale PF2 = pressure switch, fixed differential with scale in bar PF3 = pressure switch, fixed differential with scale in psi PA1 = pressure switch, adjustable differential without scale PA2 = pressure switch, adjustable differential with scale in bar PA3 = pressure switch, adjustable differential with scale in psi <small>*Available with A9 (in group 6) only</small></p>	<p>Range Code (values in bar)</p> <p>H1T = (0.5 - 10) H2T = (2 - 20) H4T = (5 - 40) H1H = (10 - 100) H2H = (7 - 200) H4H = (40 - 400)</p>	<p>Microswitch Type</p> <p>A1 = General purpose microswitch rated at 15 A; 250 VAC A2 = Hermetically sealed for corrosive environments A3 = gold plated contacts for low voltage applications A4 = DPDT configuration A5 = for high DC ratings A7 = 2SPDT switching elements A9 = General purpose microswitch rated at 5 A; 250 VAC</p>	<p>Pressure Port Material / Size</p> <p>S1 = SS316 / 1/4" BSP(F) S2 = SS316 / 1/4" NPT(F)</p>	<p>Diaphragm</p> <p>2 = SS316L</p>

eg. A hydraulic diaphragm pressure switch, with 1/2" NPT cable entry in aluminium housing as 1SPDT pressure switch, fixed differential without scale, having 5 bar to 40 bar pressure range, with 15Amp. microswitch, SS316 pressure housing with 1/4" BSP port size shall be specified by

Group 1	Group 2	Group 3	Group 4	Group 5	Group 6	Group 7	Group 8
<input type="checkbox"/>	MT	1	PF1	H4T	A1	S1	2

Please specify full model number to avoid ambiguity. If only the first two groups are specified while ordering, uncalibrated switches with standard wetted parts and enclosures will be supplied.