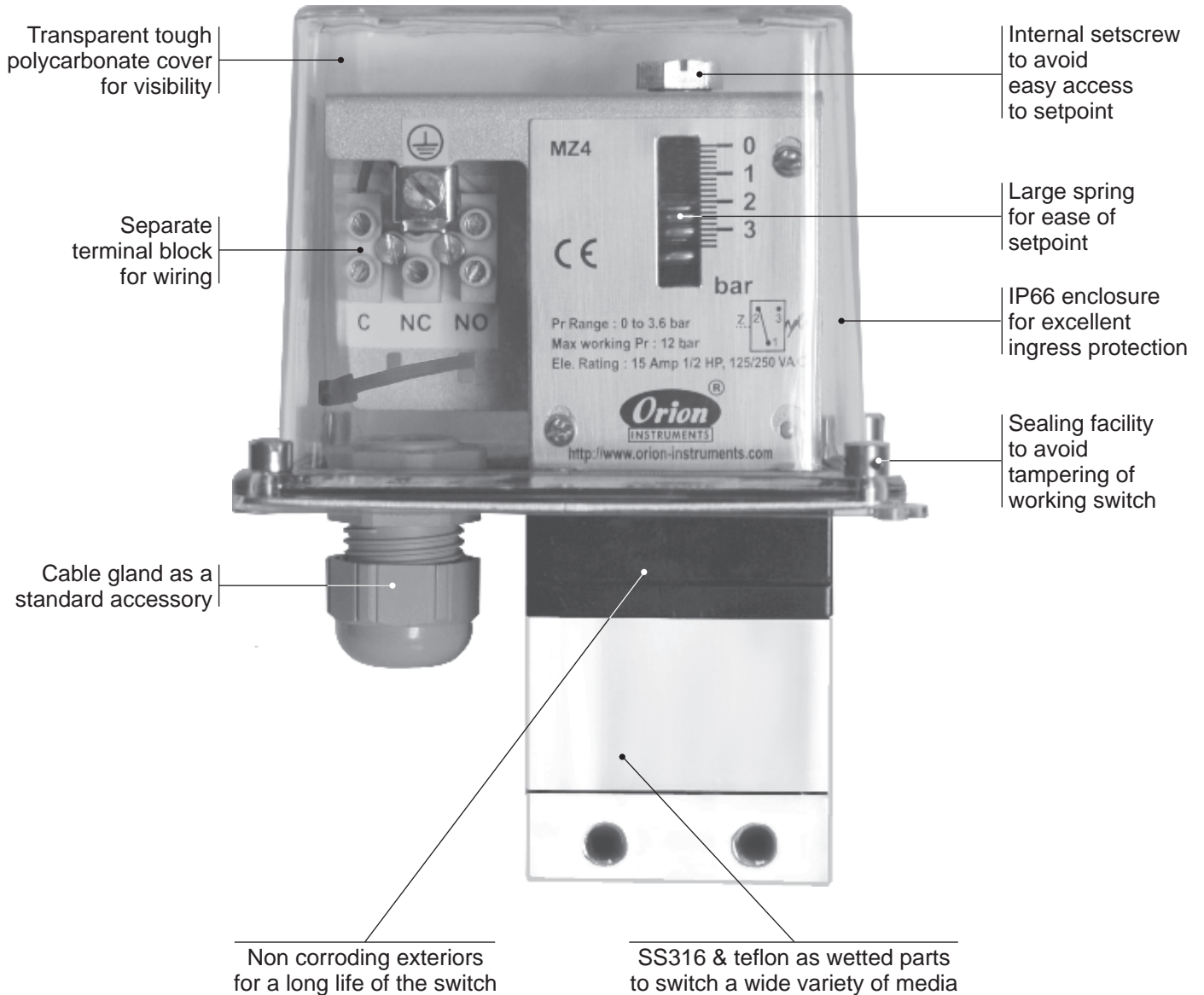


MZ HIGH RANGE PRESSURE DIFFERENCE SWITCHES

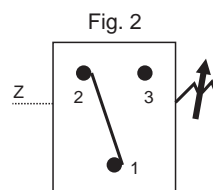


Approximate Weight : 1.400 Kg.

Some Applications :

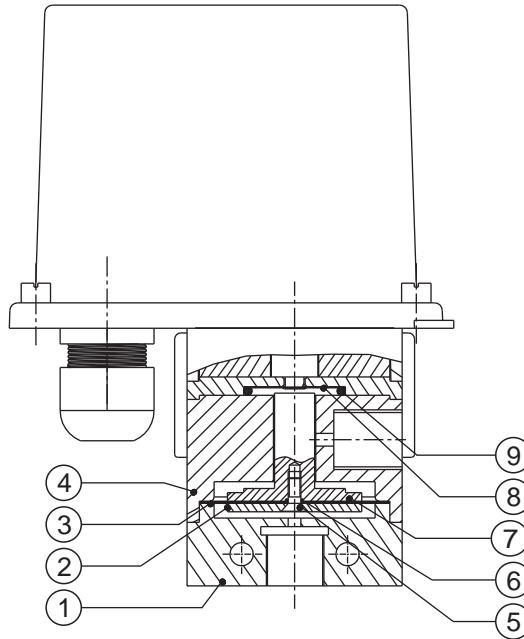
In non-hazardous areas for filters, strainers, cooling systems, etc.

Electrical Connection :





PRESSURE CAPSULE DETAILS

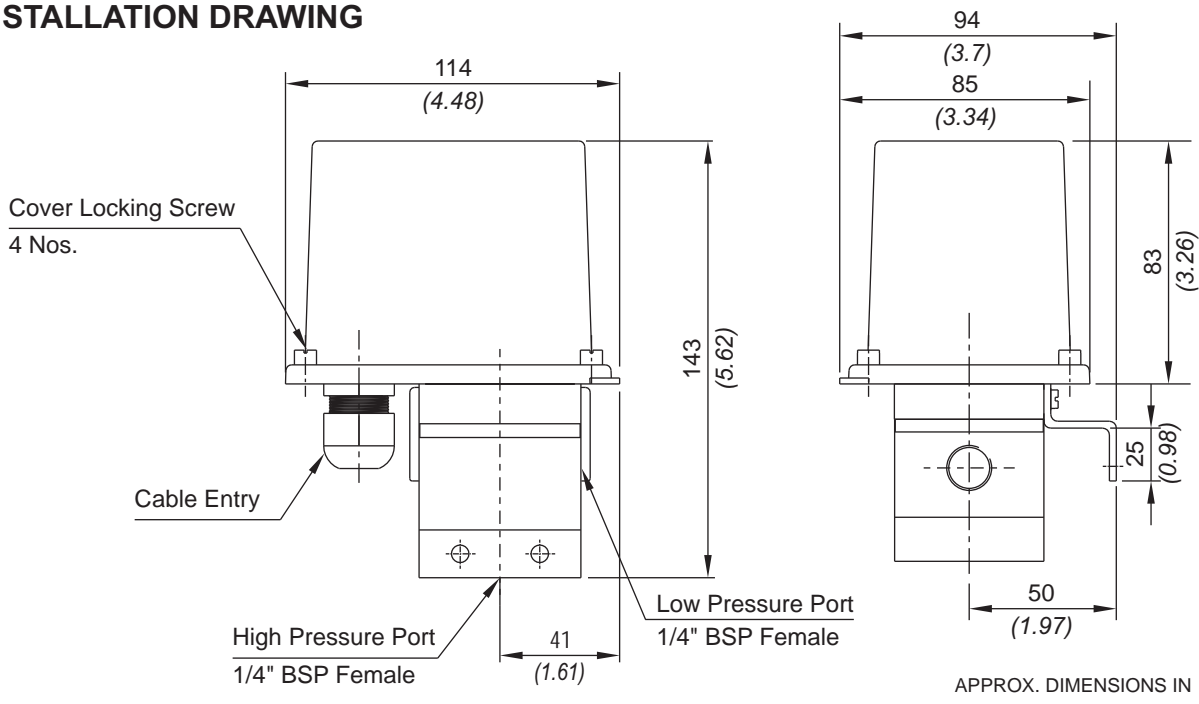


No. Description

1. Pressure Housing
2. HP Plunger (SS316)
3. Diaphragm
4. Disc
5. CSK Screw (SS)
6. 'O' ring (Teflon)
7. LP Plunger (SS316)
8. Sealing Diaphragm (Teflon)
9. Sealing O-Ring (Teflon)

Note : *wetted parts* are mentioned in italics.

INSTALLATION DRAWING



MZ HIGH RANGE PRESSURE DIFFERENCE SWITCHES

RANGE SELECTION TABLE

Range Code	Range bar (psi)	Differential* bar (psi)	Maximum Working Pressure bar (psi)
		Approximate Maximum for "A8" microswitch	
H01	0.1 - 1.0 (1.45 - 14.50)	0.12 (1.74)	12 (174.05)
H02	0.1 - 1.5 (1.45 - 21.76)	0.20 (2.90)	12 (174.05)
H03	0.2 - 2.6 (2.90 - 37.71)	0.20 (2.90)	12 (174.05)
H04	0.2 - 3.6 (2.90 - 52.21)	0.30 (4.35)	12 (174.05)

*Minimum differential increases with setpoint (Graphs available on request)

HOW TO ORDER PROCESS HIGH RANGE PRESSURE DIFFERENCE SWITCHES

Group 1	Group 2	Group 3	Group 4	Group 5	Group 6	Group 7	Group 8
Non standard allocation	Model	Cable Entry Size	Switch Type	Range Code (values in bar)	Microswitch Type	Pressure Port Material / Size	Diaphragm
<input type="checkbox"/> Reserved for non-standard options not covered in catalogue. Will be given by manufacturer, only after agreement of supply details with customer.	MZ = Process pressure switch with tough transparent polycarbonate enclosure to IP66 as per IS2147	3 = M20 X 1.5 cable gland	DF2 = pressure difference switch, fixed differential with scale in bar DF3 = pressure difference switch, fixed differential with scale in psi *DA2 = pressure difference switch, adjustable differential with scale in bar *DA3 = pressure difference switch, adjustable differential with scale in psi * Available only with option A9 in Group 6	H01 = (0.1 - 1.0) H02 = (0.1 - 1.5) H03 = (0.2 - 2.6) H04 = (0.2 - 3.6)	A8 = General purpose microswitch rated at 5 A; 250 VAC A7 = 2SPDT microswitches A9 = General purpose microswitch rated @ 5A, 250 VAC	A1 = Aluminium / ¼" BSP(F) A2 = Aluminium / ¼" NPT(F) S1 = SS316 / ¼" BSP(F) S2 = SS316 / ¼" NPT(F)	0 = Neoprene 1 = Teflon

eg. A process pressure difference switch with fixed differential having 0.1 bar to 1 bar pressure range, with 5 Amp. microswitch, SS316 pressure housing with ¼" BSP port size & neoprene diaphragm shall be specified by

Group 1	Group 2	Group 3	Group 4	Group 5	Group 6	Group 7	Group 8
<input type="checkbox"/>	MZ	3	DF2	H01	A8	S1	0

Please specify full model number to avoid ambiguity.

HIGH RANGE PRESSURE DIFFERENCE SWITCHES

MZ