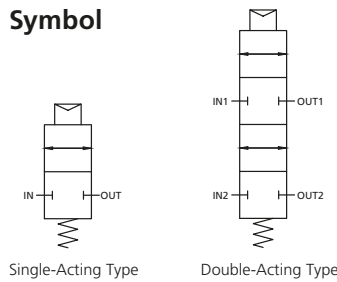


Lock-up Valves YT-400 / YT-405 / YT-430 / YT-435

Design features

- **Compact size.** No bracket is required.
- **Optimal sensitivity.** Detects small variation of the pressure - below 0.01 MPa.

Symbol



Single-Acting Type

Double-Acting Type



YT-400S

YT-405D

YT-430S

YT-435D



Item Type	YT-400	YT-405	YT-430	YT-435
Signal Pressure	0.14 to 0.7 MPa = 1.4 to 7 bar = 20 to 102 psi			
Max. Supply Pressure	Max. 1 MPa = 10 bar = 145 psi			
Signal Pressure Setting Range	Max. 0.7 MPa = 7 bar = 102 psi			
Hysteresis	Below 0.01 MPa = 0.1 bar = 1.45 psi			
Operating Temp.	-20 to +70 °C (-4 to +158 °F) (Standard type)			
Flow Capacity (Cv)	0.9		1.8	
Air Connection	Rc ¼", ¼ NPT	¼ NPT	¾ NPT	
Signal Connection	Rc ¼", ¼ NPT	¼ NPT	¼ NPT	
Material	Aluminium Diecasting	Stainless Steel 316	Aluminium Diecasting	Stainless Steel 316
Weight	Single	0.47 kg (1.1 lb)	1.3 kg (2.2 lb)	3.3 kg (7.3 lb)
	Double	0.66 kg (1.5 lb)	1.5 kg (3.3 lb)	2.7 kg (6 lb)

Product Code

YT-400 - S - P - 1

Model

YT-400 = Aluminium ¼"
YT-405 = Stainless Steel ¼"
YT-430 = Aluminium ¾"
YT-435 = Stainless Steel ¾"

Acting Type

S = Single
D = Double

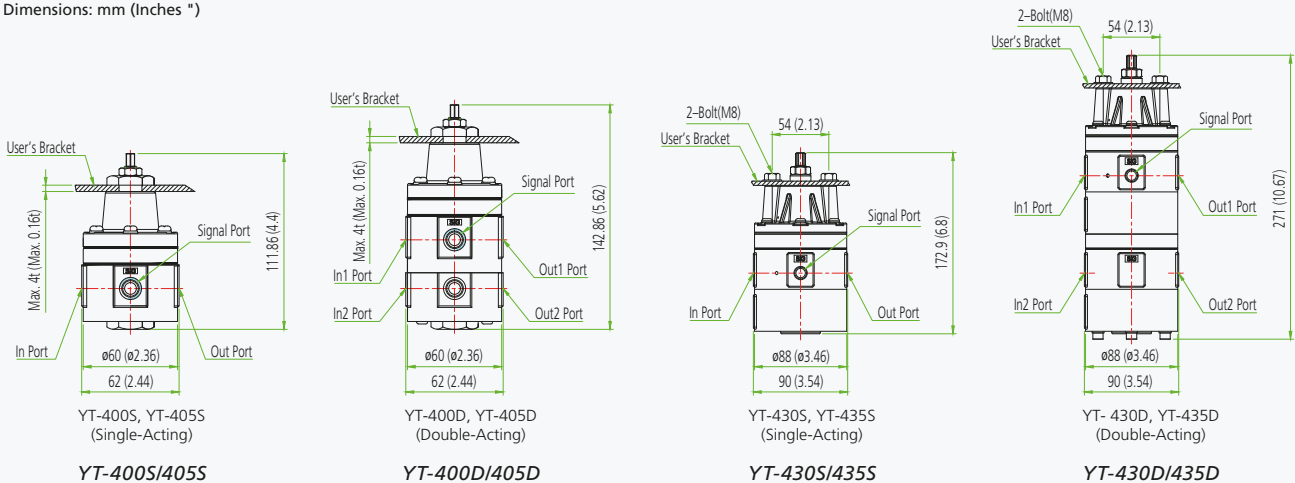
Connection Type (YT-405/430/435 are only available in NPT connection)

P = Rc
N = NPT

Operating Temp.

1 = -20 to +70 °C (-4 to +158 °F) (N/A for EAC)
2 = -20 to +120 °C (-4 to +248 °F) (N/A for EAC)
3 = -40 to +70 °C (-40 to +158 °F)
4 = -50 to +70 °C (-58 to +158 °F) (EAC only)

Dimensions: mm (Inches ")



YT-400S/405S

YT-400D/405D

YT-430S/435S

YT-430D/435D

