

## REHEATER MODEL 252

### Main characteristic

Steam injectors VALFONTA are used to increase temperature of any liquid.

Steam injection aspires liquid to heat through the holes of the reheater's body where is mixed with the injection steam to get the required increase of temperature.

This procedure causes a constant recirculation inside the tank, which assures a good mixture and the uniformity of the temperature in the tank.

As this device has no mobile parts, noise and vibrations are very low and No maintenance is required.

Body PN16, Maximum pressure 16 bar to 200°C.

### Materials

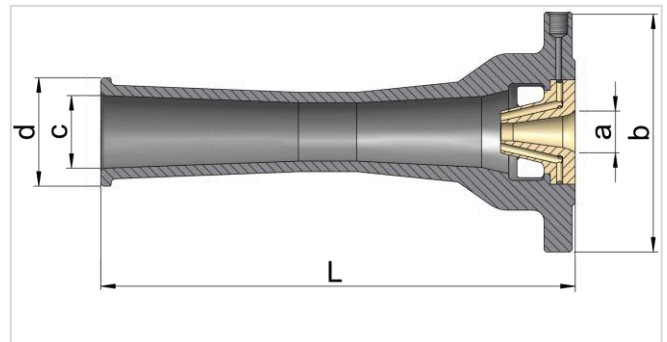
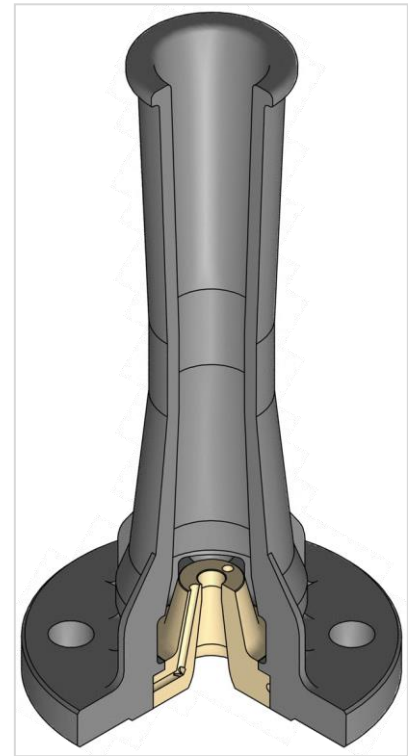
Body: Nodular GGG40.3 (standard)  
 Bronze RG10  
 Stainless Steel A351 CF3M  
 Nozzle: Bronze RG-10 (standard)  
 Stainless Steel A351 CF3M  
 Monel

### Conection

Standard construction flanges DIN PN16

### Most common applications

Water heating for washing barrels, tanks, drums,...  
 installation in pipes where is possible to find frost, in  
 breweries, sugar refineries, dry cleaners, chemical  
 factories,...



### Test conditions:

Efficiency showed in table is calculated with following working conditions: Saturated steam at 3bar, increasing or decreasing these values depending on higher or lower pressure.

### Note:

If the pipes are of great length, it is advisable that tubes are larger diameter than the inner hole diameter.

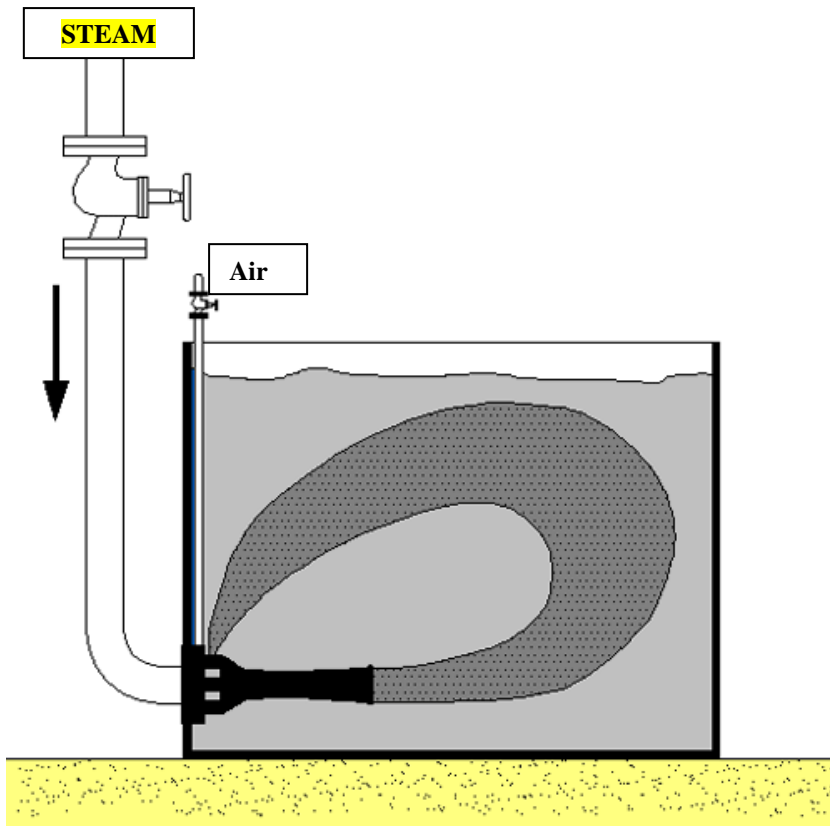
### Size table

N°	Efficiency	a	b	c	d	L	Weight
1	50.000	20	95	30	44	208	3
2	100.000	25	115	35	52	233	4
3	200.000	32	140	50	70	281	5
4	300.000	40	150	60	80	335	8
5	500.000	50	165	85	105	419	12
6	700.000	65	185	100	128	545	15
7	1.000.000	65	185	120	140	657	18
8	1.400.000	85	200	140	175	785	23
	Cal / hour	mm.					Kg.

a= tube inner diameter for steam (mm)  
 c= tube inner diameter for liquid (mm)



### Common applications in the current industry



How it works:

Steam is injected to the input(a) of the reheater, installed in the tank.

Due Venturi effect a suction of liquid is produced in a determined pressure drop conditions and this liquid is mixed with steam to heat rest of liquid in the tank.

