

PRODUCT FEATURES

PRV54 model is a self-operated pressure excess valve, fully balanced.

Maintains line pressure to a stable requested value.

When upstream pressure rises above adjusted set point, the valve opens proportionally.

Easy to adjust and doesn't need any maintenance.

Maximum inlet pressure 16 bar.

Pressure range: 0,2 a 2 | 1 – 4 | 3 – 8 bar
(Range 0,2 – 2 only soft seal NBR, EPDM, VITON)

Temperature range -30 to 210 °C.

Fluids

Fluid group 1 and 2.

Steam, oil, compressed air, fuel-oil, water, nitrogen, neutral gases, ...

Body material → Stainless steel Aisi 316L
→ Bronze RG10 (*)

Trim material → Stainless steel Aisi 316L

Cover material → Stainless steel Aisi 316L

Connections → Threaded BSP or NPT
→ Flanges DIN or ANSI
→ Clamp(*)

(*) consult

More common applications

Chemical laboratory installations, sanitary plants, compressed air, sprinkler systems, fuel-oil, steam, heat exchangers, steam plants, stills, chemical laboratories, cylinders and vulcanized, dry cleaner's, laundries,...



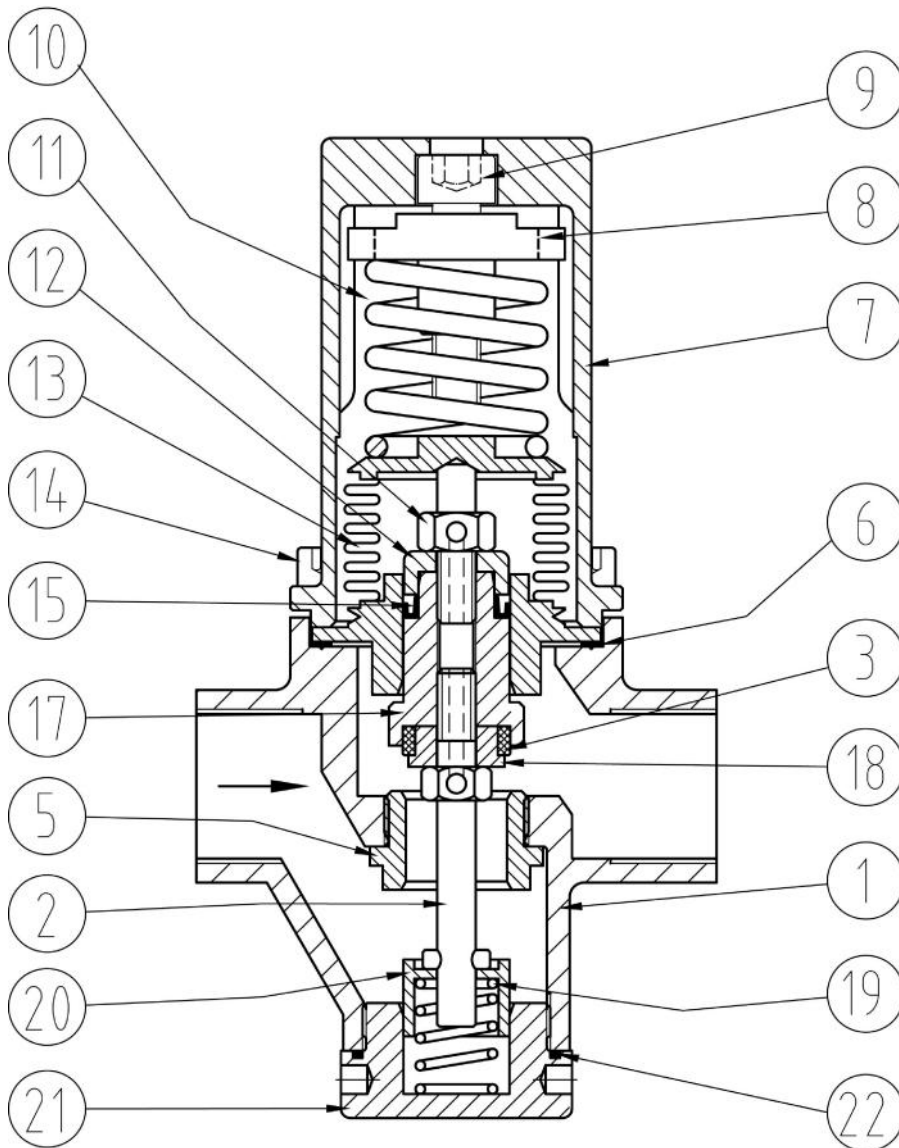
Special features

Special soft-seals (NBR, FKM), e.g. for use with mineral oils or PEEK, metallic, ...

Characteristics

Easy to adjust, Doesn't need any maintenance, It is possible to install the valve in any position, bellows of stainless steel (AISI-316Ti PN-25) welded in micro-plasma.

Special Kv available.



METHOD OF FUNCTION

The excess pressure valves PRV54 model work direct action principle. Upstream pressure reaches the valve and moves the piston and seal assembly opening the valve. This pressure is fully balanced by the piston and in the pressure less state the valve is closed by the force of the regulating spring (10).

When upstream pressure arrives to the bellow through the stem, and rises above the adjusted set point, valve opens proportionally to the change in pressure.

It is recommended to leave between 0,5 and 1 meter until check valve for a better compensation.

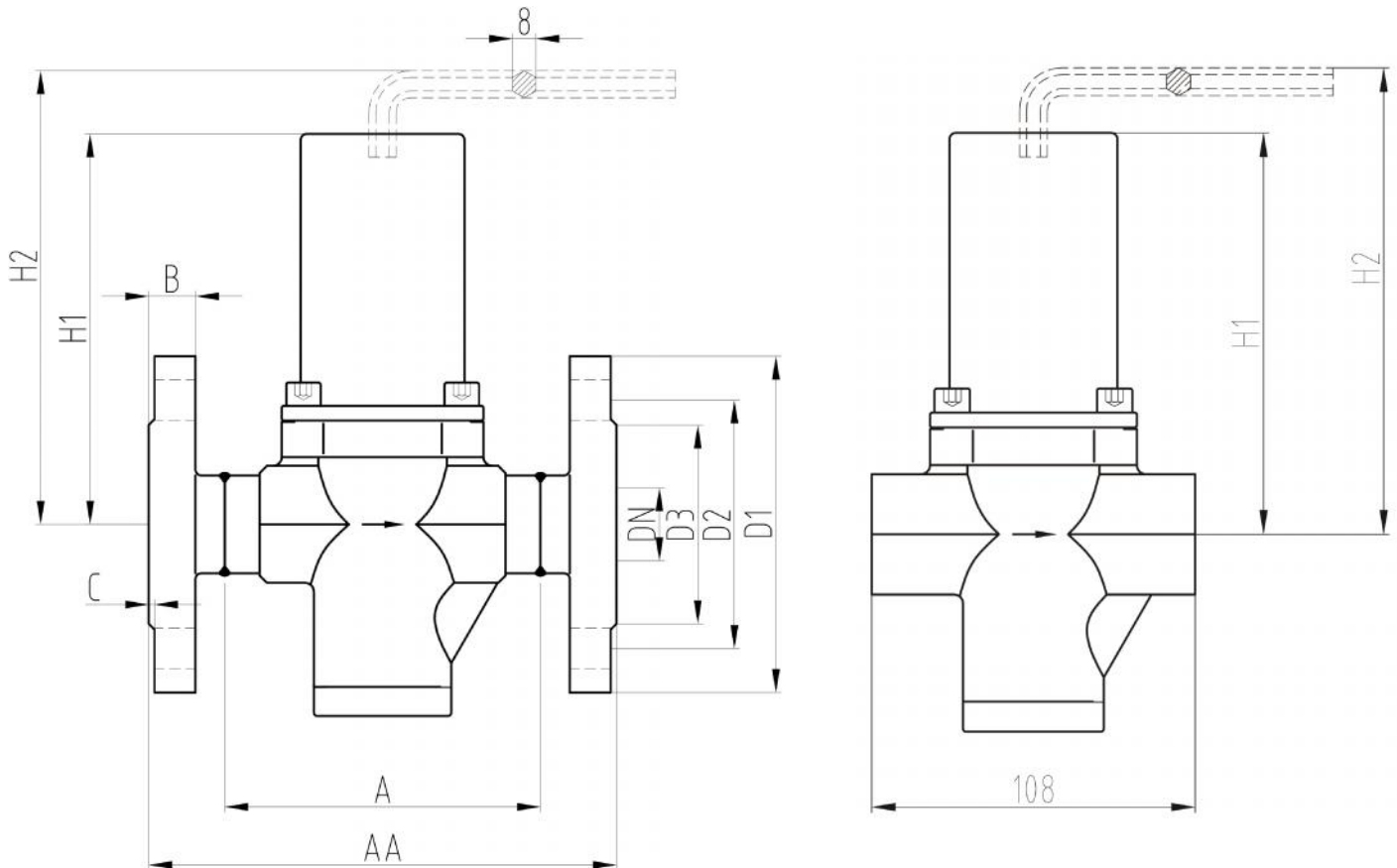
To increase inlet set pressure, the regulating screw (9) is should be turn anticlockwise.

	Descripción	Material		Descripción	Material
1	Body	Stainless steel Aisi 316L	11	Bellow screw	Stainless steel Aisi 316L
2	Seal screw	Stainless steel A2-70	12	Gasket cover	Stainless steel Aisi 316L
3	Seal	PTFE+GR, NBR,FKM, ...	13	Bellow kit	Stainless steel Aisi 316L
4	Gasket	PTFE	14	Allen screw	Stainless steel A-2
5	Seat	Stainless steel Aisi 316L	15	Gasket	Graphited PTFE
6	Gasket	PTFE	17	Stem	Stainless steel Aisi 316L
7	Spring cover	Stainless steel Aisi 316L	18	Guide seal	Stainless steel Aisi 316L
8	Washer spring	ST-52	19	Seal spring	Stainless steel Aisi 302
9	Regulation screw	Stainless steel A-2	20	Spring guide	Stainless steel Aisi 316L
10	Regulation spring	Spring steel 52SiCrNi5	21	Lower Cover	Stainless steel Aisi 316L
			22	Gasket	Viton (NBR, EPDM,...)

Special gaskets for special fluid on demand

DN	1/2"	3/4"	1"	15	20	25	15	20	25
Connection	Threaded			Flanged EN PN16/25			Flanged ANSI CL150		
Kv value	2	2.5	3.5	2	2.5	3.5	2	2.5	3.5
A	108	108	108	-	-	-	-	-	-
AA	-	-	-	150	150	160	184	184	184
H1	135			135			135		
H2	185			185			185		
D1	-	-	-	95	105	115	89	98	108
D2	-	-	-	65	75	85	60.5	70	79.5
D3	-	-	-	45	58	68	35	43	51
B	-	-	-	16	16	16	12	12	12
C	-	-	-	2	2	2	2	2	2
N° holes	-	-	-	4	4	4	4	4	4
Ø hole	-	-	-	14	14	14	16	16	16
Weight (Kg)	2.5	2.5	2.5	5	5	5	5	5	5

All sizes in millimeters. In red color, sizes out of standards.



Classification according pressure equipment Directive, 2014/68/UE

Fluid	Chart	PN	Size	Category	CE Marked
Gases and liquids group 2	7	PN25	DN15 – DN25	Apar 3-art 3	Not required
Gases and liquids group 1	6	PN25	DN15 – DN25	Apar 3-art 3	Not required