

Test bench for safety valves

Model 000



EN ASME/ANSI



Test bench for regular inspections and setting and resetting safety valves. Ideal for distributors, maintenance companies or with in-house maintenance.

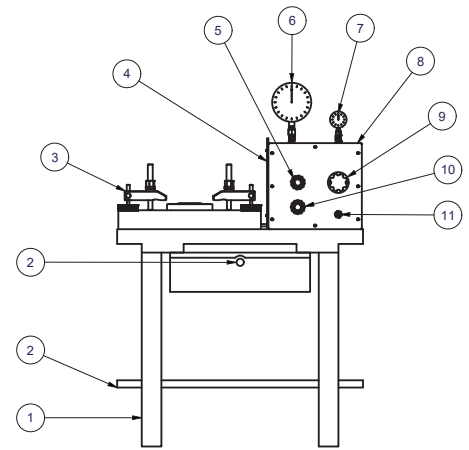
It allows safety valves to be adjusted, tested and/or checked to the test pressure (setting) P_e while cold (simulating service conditions), matching the opening pressure P_s and the closing pressure P_c , in accordance with the standard regulations.

Design in accordance with the requirements of machine directive 2006/427/EC and the pressure equipment directive (2014/68/EU).

Specifications

- Accurate and reliable.
- Very easy to use.
- Reduced and light design.
- Compact and robust construction.
- Materials carefully selected for resistance to wear, extreme temperatures and corrosion. They can be fully recycled.
- Reduced weight and size which facilitates storage.
- Easy installation.
- Minimum maintenance.
- All test benches are rigorously tested and verified.
- Bench finish: Paint RAL-7016.
- Attached to the test bench is the instruction manual in accordance with P.E.D 2014/68/EU as well as the appropriate software to issue the test certificate.

Nº. PIECE	PIECE	
1	Work bench	
2	Lockable drawer and storage shelf for tools, gauges, instructions, etc.	
3	Mechanical clamps DN-8 to DN-125 NPS-1/4" to NPS-5"	
4	Safety protector	
5	Shut-off needle valve PN-250/3625 psi as the escape valve	
6	Test gauges 0-16 bar / 232 psi cl. 0.5 and another of 0-160 bar / 2320 psi cl. 0.5	
7	Input gauge 0-250 bar / 3625 psi cl. 1.6	
8	Control box	
9	Pressure regulator valve 1.6-276 bar / 23-4000 psi	
10	Shut-off needle valve PN-250 / 3625 psi opening-closing test circuit	
11	Air or Nitrogen input connection. Maximum admitted pressure up to 200 bar / 3625 psi	
DN	10 to 125	
OPERATING CONDITIONS	TEST FLUID	Air or Nitrogen
	MAX. PERMISSIBLE PRESSURE	200 bar / 3625 psi



Operation

Place the valve to be tested in the base bracket and secure it to the bench with the mechanical clamps.

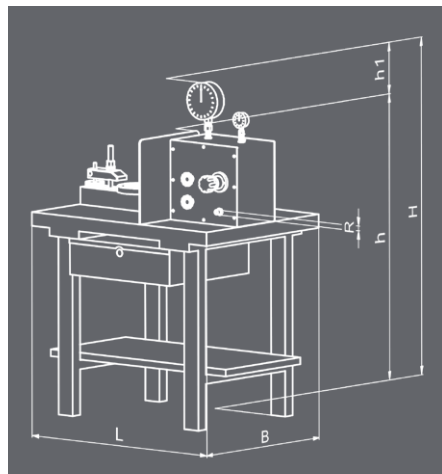
The entry gauge indicates the pressure of the test fluid.

The pressure regulator allows the test pressure to be calibrated when gradually opening the shut-off needle valve.

This allows the test fluid to pass from the regulator to the test valve.

Using the shut-off needle valve as an escape valve, we depressurise the system.

The 0.5 cl. test gauges guarantee absolute precision during the test.



MODEL 000	
R	1/2"
CONNECTIONS	Whitworth gas-tight cylindrical male thread ISO 228/1 of 1978 (DIN-259)
L	1000
B	750
H	1482
h	1256
h ₁	226
WEIGHT IN kgs.	120
CODE	2002-000.0002

IMPORTANT

Maximum admissible pressures according to the size of the valve to be tested.

MAXIMUM TEST PRESSURE			
SIZE OF THE VALVE		MAXIMUM PERMISSIBLE PRESSURE	
DN	NPS	bar	psi
8	1/4"	200	2900
10	3/8"	200	2900
15	1/2"	200	2900
20	3/4"	200	2900
25	1"	200	2900
32	1 1/4"	200	2900
40	1 1/2"	190	2755
50	2"	120	1740
65	2 1/2"	70	1015
80	3"	45	653
100	4"	30	435
125	5"	18	261