

SPECIAL FEATURES

- STAINLESS STEEL CASE & MEASURING SYSTEM
- DRY OR LIQUID VERSION
- STANDARD FOLLOWED EN 837 - 1

**APPLICATIONS**

FOOD & BEVERAGE, PHARMACEUTICAL,
REGULATORS, PUMPS, HYDRO-CLEANING
MACHINES, PRESSES, ENGINE COMPRESSORS,
TURBINES, DIESEL ENGINES & REFRIGERATING
PLANTS

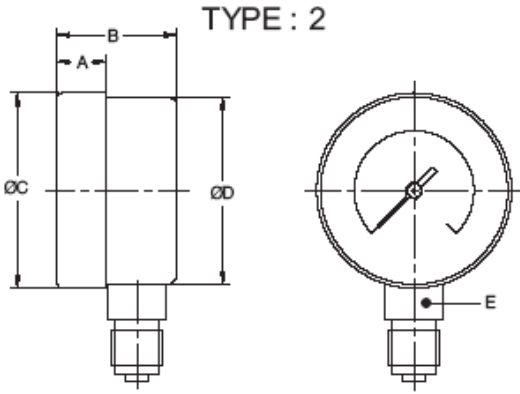
SPECIFICATIONS

STANDARD VERSION : 40mm, 50mm

| | |
|---------------------|------------------------------------------------------------------------------------------------------------------|
| Accuracy | : ± 2.5 % of F.S. |
| Ambient temperature | : - 40°C to + 60°C |
| Process temperature | : Max. 180°C |
| Operating pressure | : 75 % of the scale value |
| Over pressure limit | : 25 % for pressure ranges up to 100 kg/cm ² 15 % for pressure ranges above 100 kg/cm ² |

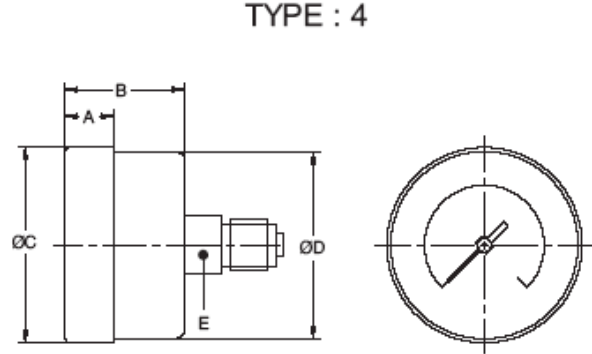
| | |
|----------|----------------------------------------------------------------|
| Case | : AISI 304 SS |
| Ring | : AISI 304 SS (push fit type for 40mm & Bayonet type for 50mm) |
| Socket | : AISI 316 SS |
| Bourdon | : AISI 316 SS |
| Movement | : AISI 304 SS |
| Joints | : TIG argon arc welding |

| | |
|---------|---------------------------------------------------|
| Dial | : Aluminium, black graduation on white background |
| Pointer | : Aluminium, black coloured, Fixed. |
| Window | : Sheet Glass |
| Gasket | : Silicon Rubber |



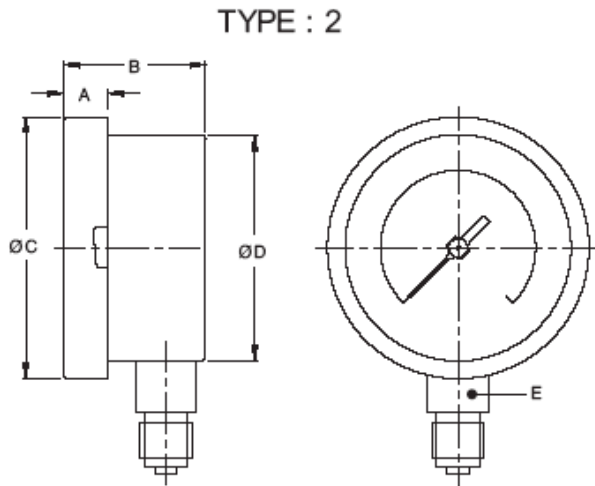
PUSH FIT TYPE (STANDARD)

| NS | A | B | ØC | ØD | E | Weight in gram (With Box) |
|----|---|----|----|----|----|---------------------------|
| 40 | 8 | 25 | 43 | 41 | 11 | 77.0 |



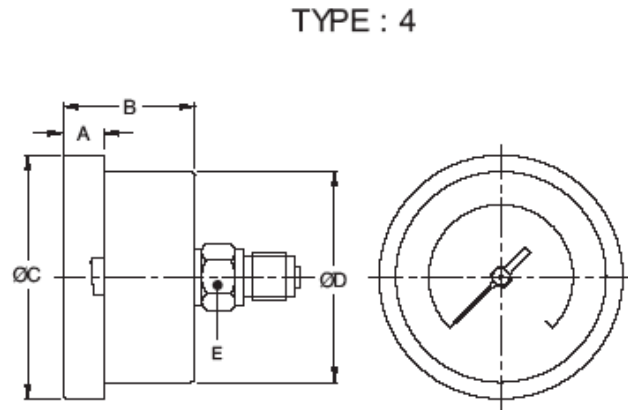
PUSH FIT TYPE (STANDARD)

| NS | A | B | ØC | ØD | E | Weight in gram (With Box) |
|----|---|----|----|----|----|---------------------------|
| 40 | 8 | 25 | 43 | 41 | 11 | 80.0 |



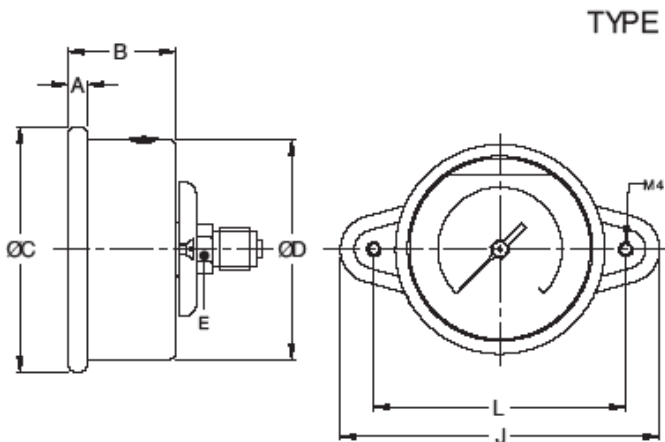
BAYONET TYPE (STANDARD)

| NS | A | B | ØC | ØD | E | Weight in gram (With Box) |
|----|----|----|----|----|----|---------------------------|
| 50 | 10 | 31 | 59 | 51 | 14 | 136.0 |



BAYONET TYPE (STANDARD)

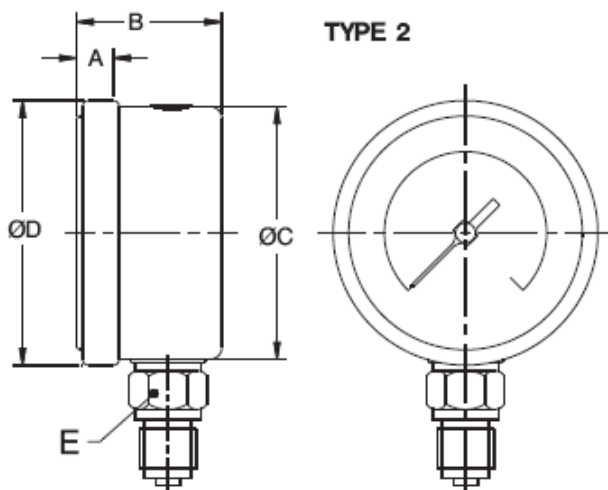
| NS | A | B | ØC | ØD | E | Weight in gram (With Box) |
|----|----|----|----|----|----|---------------------------|
| 50 | 10 | 31 | 59 | 51 | 14 | 162.0 |



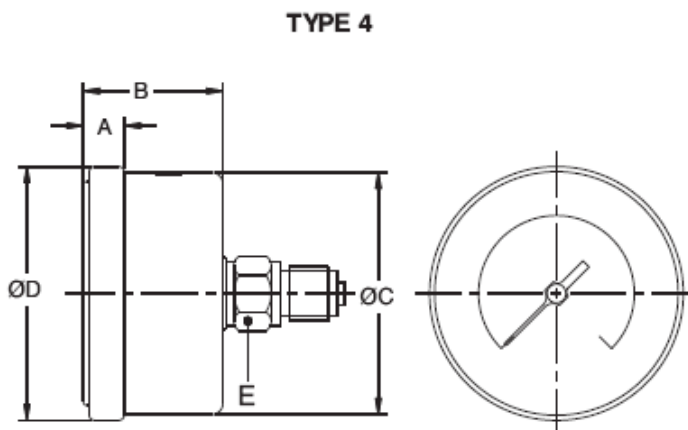
ROLLING TYPE FOR FILLED VERSION (STANDARD)

| NS | A | B | ØC | ØD | E | L | J | Weight in gram (With Box) |
|----|---|----|----|------|--------|----|----|---------------------------|
| 50 | 5 | 29 | 57 | 51.5 | A/F 14 | 71 | 91 | 243.5 |

Notes : • Drawings are not to scale. • All Dimensions are in mm. • NS = Nominal Size.



TYPE 2



TYPE 4

ROLLING TYPE (OPTION)

| NS | A | B | ØC | ØD | E | Weight in gram (With Box) |
|----|-----|------|------|------|----|---------------------------|
| 50 | 4.5 | 29.0 | 51.5 | 57.5 | 14 | 118.5 |

ROLLING TYPE (OPTION)

| NS | A | B | ØC | ØD | E | Weight in gram (With Box) |
|----|-----|------|------|------|----|---------------------------|
| 50 | 4.5 | 29.0 | 51.5 | 57.5 | 14 | 118.5 |

RANGE TABLE

Note : Manufacturer offers Pressure ranges, Vacuum ranges and Compound ranges in Scales like kPa, MPa, bar, psi, kg/cm² & Dual Scale like kPa with psi, kPa with bar, bar with psi or scales as per the requirement can be provided on request.

Following are the example tables for kg/cm² & psi scales

PRESSURE RANGE

| RANGE (PSI with kg/cm ²) | | 40 | 50 |
|--------------------------------------|--------------------------|----|----|
| RANGE PSI | RANGE kg/cm ² | | |
| -30 inHg / 0 | -760 mmHg / 0 | × | ✓ |
| 0/15 psi | 0/1 kg/cm ² | × | ✓ |
| 0/30psi | 0/2 kg/cm ² | ✓ | ✓ |
| 0/60 psi | 0/4 kg/cm ² | ✓ | ✓ |
| 0/100 psi | 0/7 kg/cm ² | ✓ | ✓ |
| 0/150 psi | 0/10 kg/cm ² | ✓ | ✓ |
| 0/200 psi | 0/14 kg/cm ² | ✓ | ✓ |
| 0/300 psi | 0/21 kg/cm ² | ✓ | ✓ |
| 0/400 psi | 0/28 kg/cm ² | ✓ | ✓ |
| 0/500 psi | 0/35 kg/cm ² | ✓ | ✓ |
| 0/600 psi | 0/40 kg/cm ² | ✓ | ✓ |
| 0/1000 psi | 0/70 kg/cm ² | ✓ | ✓ |
| 0/1500 psi | 0/100 kg/cm ² | ✓ | ✓ |
| 0/2000 psi | 0/140 kg/cm ² | ✓ | ✓ |
| 0/3000 psi | 0/210 kg/cm ² | ✓ | ✓ |
| 0/4000 psi | 0/280 kg/cm ² | ✓ | ✓ |
| 0/5000 psi | 0/350 kg/cm ² | × | ✓ |
| 0/6000 psi | 0/400 kg/cm ² | × | ✓ |

ACCESSORIES †

EC GAUGE COCK EG SNUBBER * NEEDLE VALVE

† Refer Datasheet for complete specifications * Refer catalogue for valves and manifolds

HOW TO ORDER

BASIC MODEL

AB

| CODE | B | C |
|-------------------|----|----|
| NOMINAL SIZE (mm) | 40 | 50 |

B

TYPE OF MOUNTING

2

- 2 DIRECT BOTTOM ENTRY
- 4 DIRECT CENTRE BACK ENTRY
- 9 BACK ENTRY WITH MOUNTING BRACKET (ONLY FOR NS-50 mm & ROLLING TYPE DESIGN)

GAUGE CONNECTION

2NM

| | |
|-----|-----------------------|
| 1BM | 1/8" BSP (M) STANDARD |
| 1NM | 1/8" NPT (M) STANDARD |
| 1TM | 1/8" BSPT (M) |
| 2NM | 1/4" NPT (M) STANDARD |
| 2BM | 1/4" BSP (M) STANDARD |
| 2TM | 1/4" BSPT (M) |

Note : Connections like PT/PF/Flaired /UNF/G/R etc. Can be provided on request.
Non standard connections can be provided through adaptors.

RANGE

REFER TABLES

0-10
kg/cm²

OPTIONS

FOR NON STANDARD PRODUCTS/OPTIONAL ITEMS, PLEASE CONTACT FACTORY FOR DELIVERY AND MINIMUM QUANTITY OF ORDER.

| | | | |
|----|--------------------------------------|----|----------------------------------------------------------------|
| PW | FIVE POINT CALIBRATION CERTIFICATE | SG | OXYGEN SERVICE |
| QB | DAMPENING SCREW IN AISI 316 SS | RQ | ENCLOSURE PROTECTION IP - 65 (IF BAYONET TYPE CASE & BEZEL) |
| RH | CUSTOM DESIGNED DIAL | SX | SS TAG PLATE |
| PY | DAMPENING LIQUID GLYCERINE FILLED | FS | FILLABLE LIQUID SILICON OIL* |
| QA | DAMPENING LIQUID SILICON OIL FILLED* | FG | FILLABLE LIQUID GLYCERINE |
| SQ | CASE WITH ROLLING TYPE BEZEL | | |

SX

Note: Option PY, QA, FS, FG, SN are applicable for NS 50mm & Rolling type design.

* GASKET & FILLING PLUG OF VITON /NBR

Ordering Example:

AB - B - 2 - 2NM - 0/10kg/cm² - SX

Note : ● Due to continuous improvement, the specification may vary from time to time.