

## SPECIAL FEATURES

- STAINLESS STEEL CASE & RING
- MOST SUITABLE FOR AIR & GASEOUS APPLICATION MEASUREMENT FROM 25 mbar TO 600 mbar
- BOTTOM & BACK MOUNTING
- VACUUM & COMPOUND RANGES
- STANDARD FOLLOWED IN GENERAL EN 837-3

## APPLICATIONS

FOOD & BEVERAGES, PHARMACEUTICAL, CONVENTIONAL & NUCLEAR  
POWER PLANTS, DRAFT MEASUREMENT



## SPECIFICATIONS

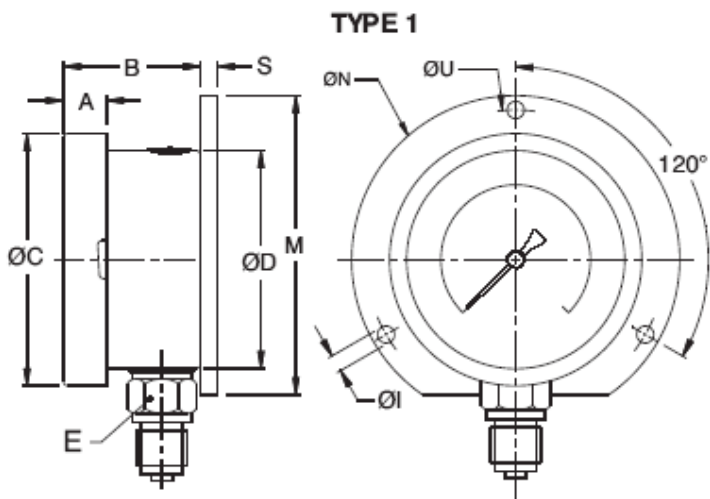
**STANDARD VERSION : 63mm, 100mm, 125 mm, 150mm**

Accuracy	: ± 1.6% of F.S.
Ambient temperature	: - 25°C to + 65°C
Process temperature	: Max 150°C
Operating pressure	: 75 % of the Scale Value

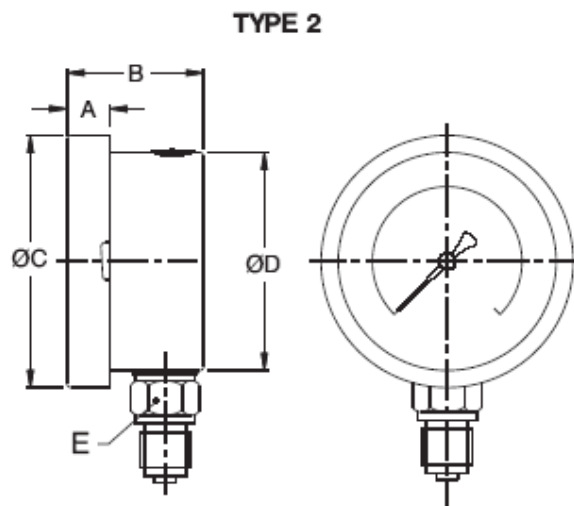
Case	: AISI 304 SS
Ring	: AISI 304 SS, Bayonet Type
Socket	: AISI 316L SS
Movement	: AISI 304 SS
Joints	: Tig Argon Arc Welding
Capsule	: AISI 316 SS (With Laser Welded)

Over Pressure	: 110% F.S.D.
Protection	: IP 55
Dial	: Aluminium, black graduation on white background with zero adjustment provision
Pointer	: Aluminium, black Coloured, Fixed
Window	: Sheet Glass
Gasket	: Neoprene

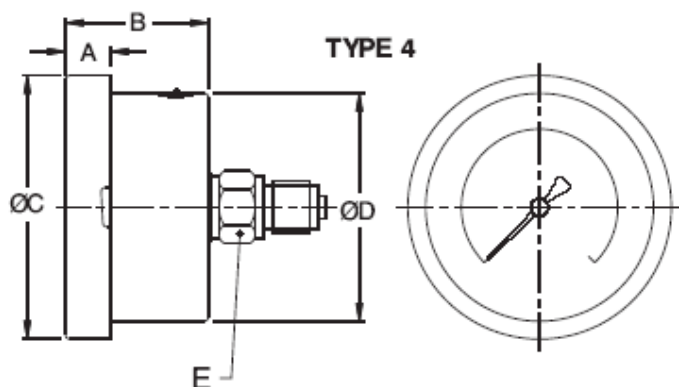
# DIMENSIONS - STANDARD VERSION



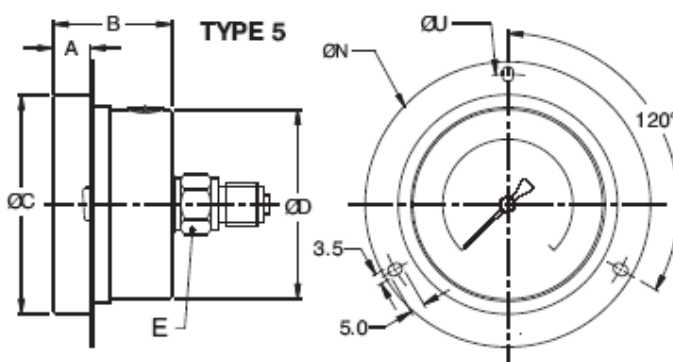
NS	A	B	ØC	ØD	E	S	ØN	ØI	ØU	M	Weight in gram (With Box)
63	12.5	46	77	66.5	A/F14	5	88	5	76	80	320.0



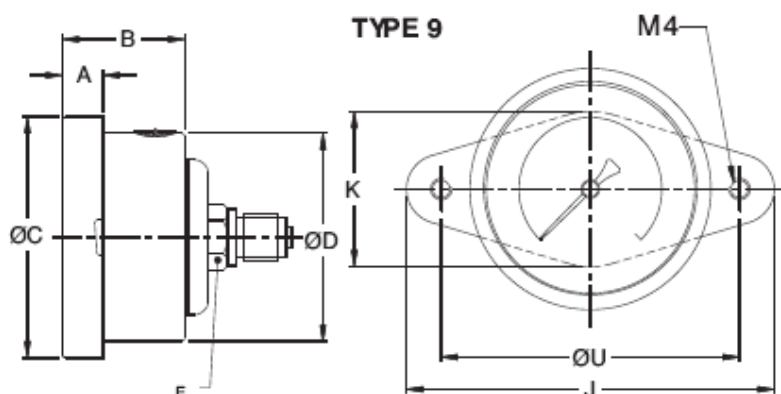
NS	A	B	ØC	ØD	E	Weight in gram (With Box)
63	12.5	46	77	66.5	A/F14	270.0



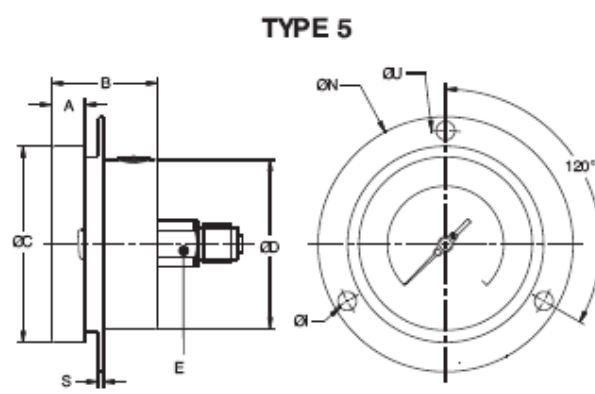
NS	A	B	ØC	ØD	E	Weight in gram (With Box)
63	12.5	46	77	66.5	A/F14	260.0



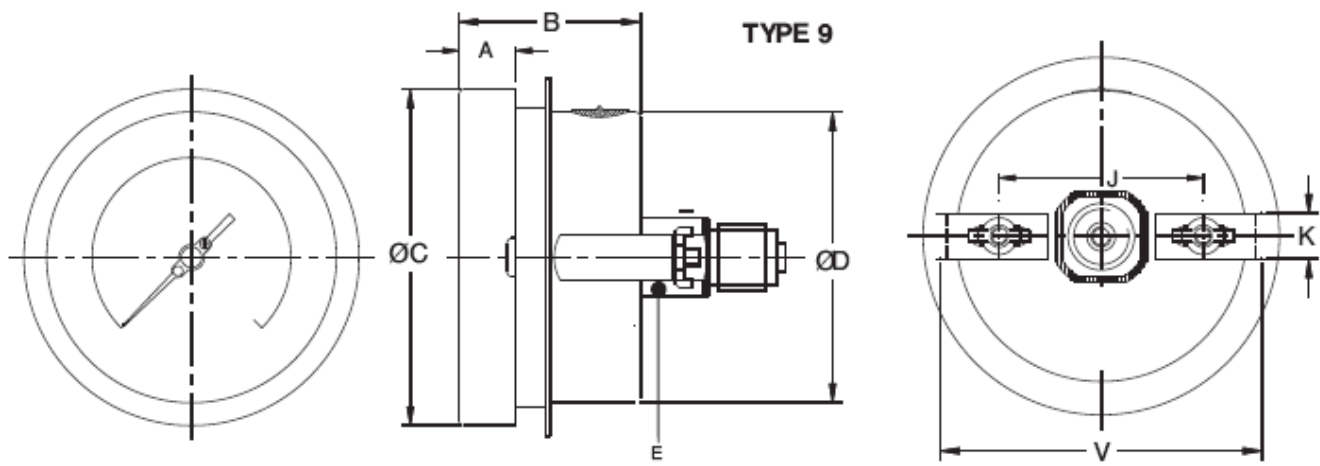
NS	A	B	ØC	ØD	E	ØN	ØU	Weight in gram (With Box)
63	12.5	46	77	66.5	A/F14	85.5	76	250.0



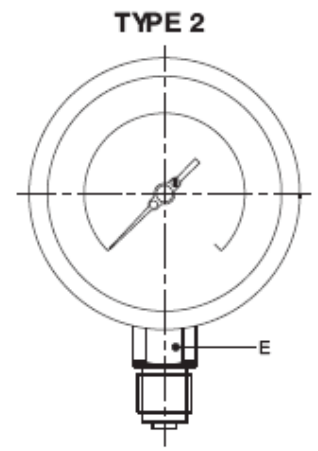
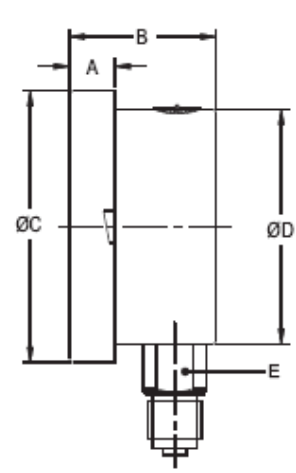
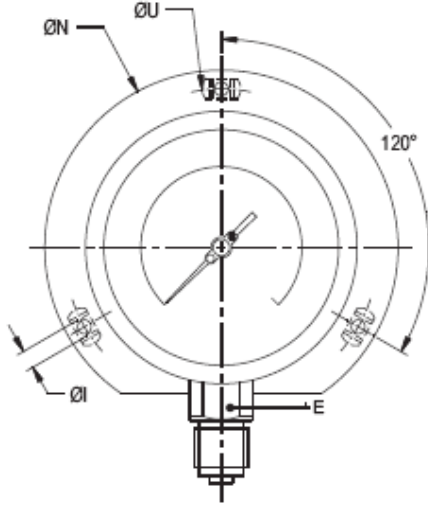
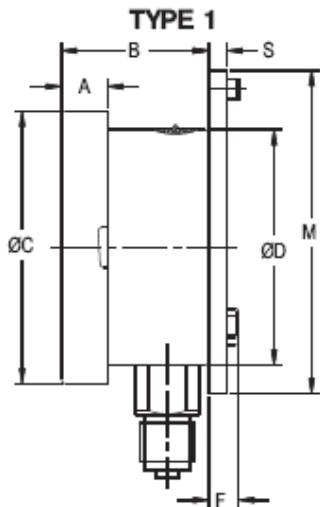
NS	A	B	ØC	ØD	E	J	K	ØU	Weight in gram (With Box)
63	12.5	46	77	66.5	A/F 14	91	38	70.5	320.0



NS	A	B	ØC	ØD	E	S	ØI	ØN	ØU	Weight in gram (With Box)
100	12.5	48	110	100	22	1	6	134	118	690
125	11	48	131	119	22	4	6	152	138	760.0
150	15	49	161	149	22	5	6	186	168	1100

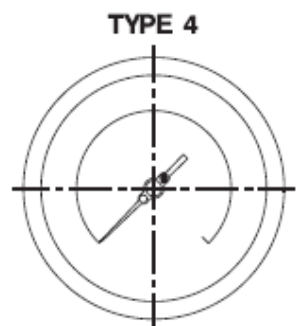
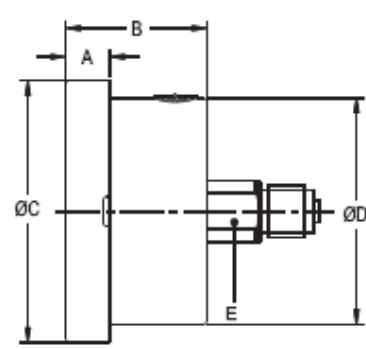
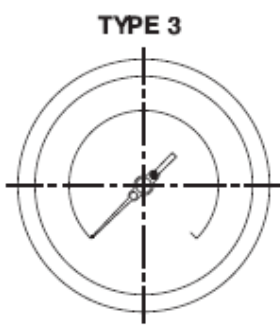
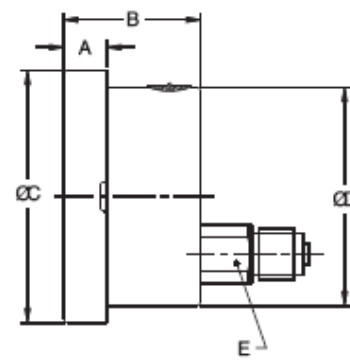


NS	A	B	ØC	ØD	E	J	K	V	Weight in gram (With Box)
100	12.5	48	110	100	22	66.5	16	106	730
125	11	48	131	119	22	80	16	129.5	825.0
150	15	49	161	149	22	103.5	16	158	1200



NS	A	B	ØC	ØD	E	M	S	F	ØI	ØN	ØU	Weight in gram (With Box)
100	12.5	48	110	100	22	128	6	14.5	6	134	118	690
125	11	48	131	119	22	-	4	15	6	152	138	760
150	15	49	161	149	22	177	5.5	15	6	186	168	1110

NS	A	B	ØC	ØD	E	Weight in gram (With Box)
100	12.5	48	110	100	22	605
125	11	48	131	119	22	670
150	15	49	161	149	22	1030



NS	A	B	ØC	ØD	E	Weight in gram (With Box)
100	12.5	48	110	100	22	605
125	11	48	131	119	22	665
150	15	49	161	149	22	1115

NS	A	B	ØC	ØD	E	Weight in gram (With Box)
100	12.5	48	110	100	22	605
125	11	48	131	119	22	665
150	15	49	161	149	22	1115

Notes : • Drawings are not to scale. • All Dimensions are in mm. • NS = Nominal Size.

## RANGE TABLE

Note : Manufacturer offers National / International Scales like mbar, Pa, kPa, inWC, MWC, inHg, mmHg & Dual Scale or Equivalent scales as per the requirement can be provided on request. **Following are the example tables for mmWC scales**

### PRESSURE RANGE

SINGLE SCALE - mmWC				
RANGE	RANGE	RANGE	RANGE	RANGE
0/250	0/600	0/1 600	0/2500	0/6000
0/400	0/1 000	0/2000	0/4000	

### VACUUM & COMPOUND RANGE

SINGLE SCALE - mmWC				
RANGE	RANGE	RANGE	RANGE	RANGE
- 250/0	- 600/0	- 1600/0	- 2500/0	- 6000/0
- 400/0	- 1000/0	- 2000/0	- 4000/0	
SINGLE SCALE - mmWC				
RANGE	RANGE	RANGE	RANGE	RANGE
- 100/1 50	- 200/400	- 600/1000	- 1000/1 500	- 2000/4000
- 150/250	- 400/600	- 800/1200	- 1500/2500	

## HOW TO ORDER

### BASIC MODEL

CODE	D	F	G	H
NOMINAL SIZE (mm)	63	100	125	150

### TYPE OF MOUNTING

- 1 WALL / SURFACE / PROJECTION MOUNTING WITH BOTTOM ENTRY
- 2 DIRECT BOTTOM ENTRY
- 3 DIRECT LOWER BACK ENTRY (NOT FOR NS 63mm)
- 4 DIRECT CENTER BACK ENTRY
- 5 FLUSH PANEL BACK ENTRY WITH FRONT FLANGE
- 9 BACK ENTRY WITH MOUNTING BRACKET

### GAUGE CONNECTION

<b>2BM</b> 1/4" BSP (M) STANDARD FOR NS 63 mm	<b>2NM</b> 1/4" NPT (M) STANDARD FOR NS 63 mm
<b>3BM</b> 3/8" BSP (M) STANDARD	<b>3NM</b> 3/8" NPT (M)
<b>4BM</b> 1/2" BSP (M) STANDARD FOR NS 100,125 & 150 mm	<b>4NM</b> 1/2" NPT (M)

**Note : Connections like PT/PF/Flaired /UNF/G/R etc.can be provided on request.**

**Non standard connections can be provided through adaptors.**

### RANGE

REFER TABLES

### OPTIONS

FOR NON STANDARD PRODUCTS/OPTIONAL ITEMS, PLEASE CONTACT FACTORY FOR DELIVERY AND MINIMUM QUANTITY OF ORDER.

<b>PS</b> AISI 316 CASE & BEZEL	<b>RZ</b> TOUGHENED GLASS
<b>PW</b> FIVE POINT CALIBRATION CERTIFICATE	<b>SG</b> OXYGEN SERVICE
<b>QB</b> INTEGRAL DAMPENING SCREW IN AISI 316 SS	<b>SW</b> DIAL TAG MARKING
<b>RH</b> CUSTOM DESIGNED DIAL	<b>SX</b> SS TAG PLATE
<b>RW</b> PLEXI GLASS	<b>SU</b> BRASS (CHROME PLATED) MOVEMENT
<b>RX</b> SHATTERPROOF / SAFETY GLASS	

### Ordering Example:

**AF - H - 2 - 4BM - 0/600mmWC - PW**

**Note : ● Due to continuous improvement, the specification may vary from time to time.**

AF

H

2

4BM

0-600  
mmWC

PW