

PULSATION DAMPENER / SNUBBER

WAREE

ADJUSTABLE NEEDLE TYPE



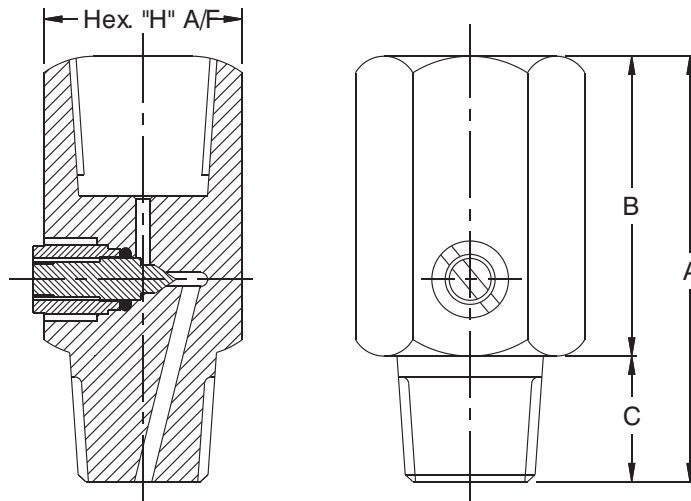
SPECIAL FEATURES

THESE ARE DESIGNED TO PROTECT PRESSURE INSTRUMENTS FROM SUDDEN PRESSURE CHANGES AND FLUCTUATION OF PRESSURISING FLUID. SUDDEN PRESSURE CHANGES ARE DAMPENED BEFORE THEY REACH THE PRESSURE SENSING ELEMENT TO MINIMISE STRESS ON IT AND GIVING IT LONGER LIFE. THESE FIND APPLICATIONS IN HYDRAULIC MACHINES, COMPRESSORS, PROCESS PLANTS ETC.



SPECIFICATIONS

Working Pressure	: Upto 400 kg/cm ²
Working Temperature	: -20°C to 200°C
Material	: AISI 316 SS



Connections	A	B	ØC	Hex. "H" A/F
1/4" (MxF)	63	50	13	17.0
3/8" (MxF)	63	47	16	28.0
1/2" (MxF)	63	43	20	28.0

HOW TO ORDER

BASIC MODEL

FOR NON STANDARD PRODUCTS/OPTIONAL ITEMS, PLEASE CONTACT FACTORY FOR DELIVERY AND MINIMUM QUANTITY OF ORDER.

EG

MATERIAL OF CONSTRUCTION

MQ BRASS	TL AISI 316L SS
TM AISI 316 SS	TX MONEL
TK AISI 304 SS	

TM

CONNECTION

2BM.2BF 1/4" BSP (M x F)	3NM.3NF 3/8" NPT (M x F)
2NM.2NF 1/4" NPT (M x F)	4BM.4BF 1/2" BSP (M x F)
3BM.3BF 3/8" BSP (M x F)	4NM.4NF 1/2" NPT (M x F)

4NM.4NF

OPTIONS

SG OXYGEN SERVICE

SG

* In case of wetted parts of Brass, max. pressure shall be 250 kg/cm²

Ordering Example:

EG - TM - 4NM.4NF - SG

Note : ● Due to continuous improvement, the specification may vary from time to time.