

RTD ASSEMBLY WITH FIXED / ADJUSTABLE & N-U-N CONNECTION

• Reference standard :- IEC - 751 / DIN 43760.

SPECIAL FEATURES

- Mineral Insulated cable.
- Spring loaded design for positive contact with thermowell
- Available in various connections & sheath diameters
- Enclosures (Head)
 - Weatherproof IP - 67
 - Flameproof Gr. IIA, IIB
 - Explosion proof IIA, IIB, IIC
- Transmitter output 4 - 20 mA (Optional)

APPLICATIONS

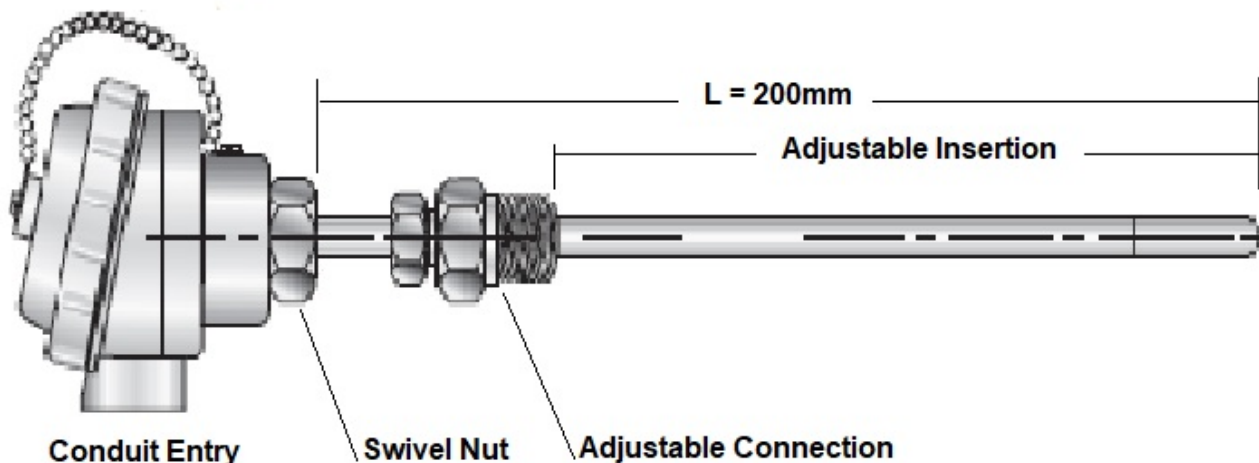
- Such design is generally used in all industries, machinery manufactures, bearing temp. measurement etc. where space is limited.

STANDARD PRODUCT DETAILS

No of element	- Simplex
Element type	- Pt - 100
Range	- -200°C till 450°C
Accuracy	- Class 'B' Tolerance as per IEC - 751 / DIN 43760
Wire Configuration	- 3 Wire System
Sheath Diameter	- 6.0 mm
Sheath Material	- SS 316
Terminal Head Type	- Screwed type, weatherproof, IP-65 in Die Cast Aluminum
No. Of Conduit Entry	- One
Cable Gland	- 3/4" ET, Nickel plated brass, Single Compression
Head Extension Type	- Fixed Threaded Connection
Immersion Length "IL"mm	- 150 mm.
Process conn. "P"	- 1/2" BSP (M), SS 316
Tag Plate	- Aluminum Tag Plate

DIMENSIONAL DETAILS

Terminal Head



Notes : • Drawings are not to scale. • All Dimensions are in mm.